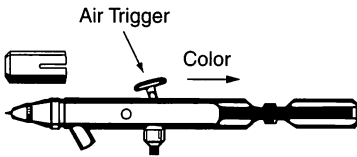


VEGA®/OMNI™ AIRBRUSH INSTRUCTIONS

Your new airbrush has been individually tested to ensure proper performance. Please do not disassemble the airbrush until you have read this booklet. Should you have any questions about this product, call or write.

Badger Air-Brush Co.
9128 W. Belmont Ave.
Franklin Park, IL 60131
1-800-AIR-BRUS(H)

USE

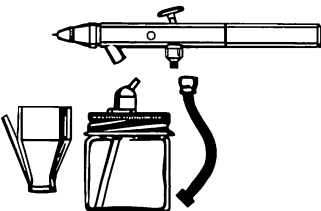


1. Remove the protective cap (T120V) from the airbrush.
2. Check the air supply for proper operation.
3. Press the trigger to release air and simultaneously draw the trigger back to release color. Application of paint depends on how much color is released and how close you are to the area being sprayed.

RULE OF THUMB FOR DOUBLE ACTION AIRBRUSHES

Controlling your airbrush is much easier if you follow this rule. "Press down and keep it down". Press the trigger down, keep it down. With the air on all the time, all you need to learn is the back and forth motion of the trigger controlling the color.

SET UP



1. Screw the large hex nut to the air supply and screw the airbrush to the other end of the hose.
2. Set the air pressure if you have a regulator.
3. Attach the color receptacle if applicable. If you have a Vega® 2000, 600 or Omni™ 3000, press-twist the jar or cup into the connection under the airbrush. Be sure the container is secure.

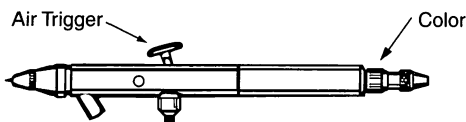
FINE DETAIL

If you have an Omni™ model, remove the air cap guard (T8131G), turn it around and screw it back onto the air cap (T8131). This exposes the tip and needle for extra fine work. If you have a Vega® model and plan to do much detailing, you may consider purchasing the optional proliner aircap (6131P & 6133P).



1. Hold the airbrush 1-2 inches from the surface you are painting. Press the trigger down, then slowly draw the trigger back for color. Practice making small dots and fine lines to learn control of the airbrush. For larger areas, move the airbrush further from the work and pull back more on the trigger to release more color.

SINGLE ACTION AIRBRUSHES



1. The air flow is controlled by pressing down on the trigger (T604).
2. The flow of paint is controlled by screwing the needle adjuster (T614) out away from the needle.

Note: Always be sure the needle chuck (T616) is secure to the needle adjuster. If not, the needle will not move back and color will not come out of the airbrush.

3. Practice on newspaper first. Screw the needle adjuster in all the way. Press down for air and slowly screw the adjuster away from the handle. The more the adjuster is screwed out, the larger the spray and the further you must be from the work surface. Avoid applying too much color. Practice for control.

MAINTENANCE

Replacing the Tip and/or Needle:

1. If your needle is bent, chances are you damaged the tip, so consider changing both. First remove the air cap and straighten the needle as best you can. Remove handle, loosen needle chuck and retract the needle carefully. Check the tip (T6141) for wear, splits or flares at the end. If the tip needs replacing, slide the new needle in carefully but not quite all the way forward. Next, loosen the air cap body (T617) with the enclosed wrench. Hold the airbrush in a vertical position, screw the air cap body off and replace the tip. Replace the air cap body, air cap and insert the needle all the way forward, tighten the needle chuck gently and replace the handle.

Replacing the Rocker Lever Assembly (T610):

1. Remove the handle and needle chuck. Withdraw the needle. Push the trigger as far back as possible. This will keep the tab on the rocker lever against the back of the slot in the airbrush body. With your free hand remove the spring adjuster.(T612) and spring. Now, let go of the trigger and the rocker assembly can be removed. To reassemble, position the trigger in the slot making sure you can feel an up and down spring action on the trigger. Hold the trigger in place, insert the rocker lever assembly

so the tab protrudes through the slot. Push the trigger against the tab and hold the tab against the back of the slot. Replace the spring and the needle adjuster into the airbrush body. When you feel tension on the trigger, gently let it forward until the adjuster is screwed in.

Replacing Valve Parts:

Carefully loosen the valve nut (T90) with a long nose pliers. The spring falls out next. Remove the plunger w/"o"-ring (see diagram). Replace plunger w/"o"-ring first then spring and nut.

Remember, ninety percent of all repairs are due to poor maintenance.

A Vega® Airbrush instruction video is also available from Badger Air-Brush Co.

PAINT

1. As a rule, the faster the paint dries, the higher the pressure should be, i.e., many textile painters spray at pressures as high as 80 psi. This helps eliminate tip dry on the needle and allows the color to impregnate the material better. On the other hand, hobbyist using slow drying enamels may spray as low as 15 psi. Start at 20-25 psi. You may be able to use lower pressures but be aware of grainy sprays or sputtering which can result from inadequate air pressure.
2. Thicker paint will require higher pressures. Try to keep the color as close to a milk consistency as possible.
3. Periodically you may have to remove paint build-up (tip dry) from your needle, tip and air cap. This is common with all airbrushes. Always clean with a soft brush or cotton swab. ***Never use a sharp object when cleaning your airbrush!***
4. When using your airbrush, be sure to keep the small hole in the paint jar lid open. A toothpick works well. If the hole is blocked, the airbrush will not draw color. Also, be sure the lid is tight.

CLEAN UP

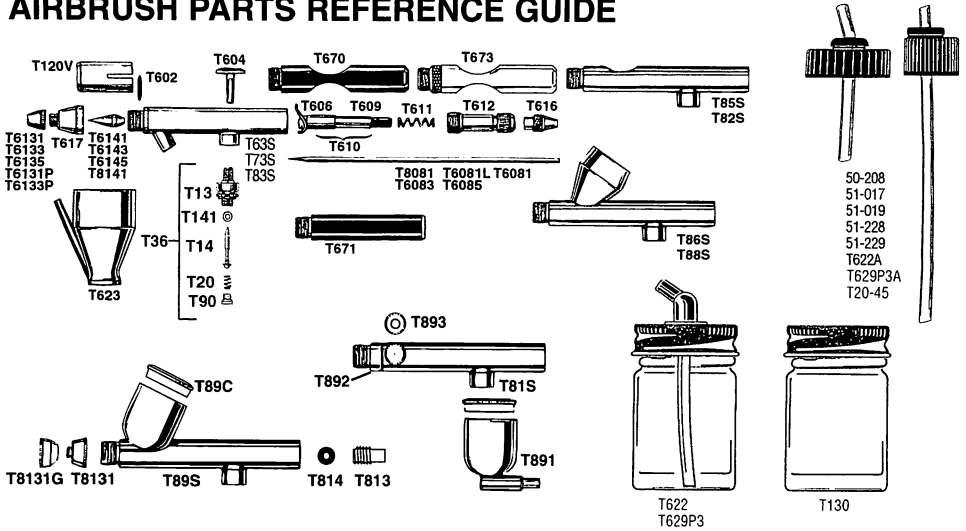
1. When finished airbrushing, remove paint from all containers and rinse clean.
2. Pour appropriate cleaner into the cup or bottle and spray until clear.
3. ***Backflush your airbrush.*** Remove the handle, loosen the needle chuck (T616), and pull the needle back about 1/4". Place your finger over the front of the airbrush and press the trigger down. Air will bubble back into the color container "backflushing" the solvent through the color passages in the airbrush. Reseat the needle forward and gently lock the needle chuck. Replace the handle.

WARNINGS

Read paint labels. Some paints contain toxic ingredients that can be hazardous to your health. Do not smoke, eat or drink while airbrushing. Avoid getting paint or solvent into your mouth, eyes or open sores.

Always airbrush with adequate ventilation. Stop airbrushing at first signs of headache, dizziness, nausea, or skin irritation.

AIRBRUSH PARTS REFERENCE GUIDE



QNTY. ORD.	STOCK NO.	DESCRIPTION
---------------	--------------	-------------

VEGA®/OMNI™ AIRBRUSH REPLACEMENT PARTS

QNTY. ORD.	STOCK NO.	DESCRIPTION
	T13	Valve Casing
	T14	Valve Plunger
	T20	Valve Spring
	T20-45	20mm Jar Adaptor / BAB #51-019
	T36	Valve Assembly Complete
	T63S	VEGA® 2000 Shell
	T73S	VEGA® 600 Shell
	T81S	OMNI™ 6000 Side Feed
	T82S	OMNI™ NAILAIRE Shell
	T83S	OMNI™ 3000 Bottom Feed
	T85S	VEGA® NAILAIRE Shell
	T86S	VEGA® 1000 Shell 1/8 oz. Cup
	T88C	Color Cup Cap V1000 & OMNI™ 5000
	T88S	OMNI™ 5000 Gravity Feed 1/8 oz. Cup
	T89C	OMNI™ Cup Cap / BAB #50-0472
	T89S	OMNI™ 4000 Shell
	T90	Valve Nut
	T120V	Protection Cap
	T130	1 oz. Jar & Lid (38mm)
	T141	Valve Washer VEGA® & OMNI™
	T602	Head "O" Ring VEGA® & OMNI™
	T603	Outside Valve Washer - VEGA® & OMNI™
	T604	Trigger
	T606	Rocker Lever
	T607	Rocker Lever Pin
	T609	Needle Tube
	T610	Needle Tube & Rocker Assembly
	T611	Back Spring
	T612	Spring Adjuster
	T616	Needle Chuck
	T617	Air Cap Body
	T622	1 oz. Jar Complete (38mm)
	T622A	38mm Fast Blast (All Plastic) Jar Adaptor fits T&C, & Paasche You Cut To Length
	T623	1/4 oz. Cup / BAB #50-0482
	T629P3	3 oz. Plastic Jar complete (38mm)
	T629P3A	3 oz. Cap W / Fitting & Tube (38mm)
	T670	Handle (Fits V2000-V1000 and Nailaire)

QNTY. ORD.	STOCK NO.	DESCRIPTION
---------------	--------------	-------------

VEGA®/OMNI™ AIRBRUSH REPLACEMENT PARTS

QNTY. ORD.	STOCK NO.	DESCRIPTION
	T671	Handle (VEGA® 600 single action)
	T673	OMNI™ Handle
	T813	Screw (Needle Seal Adjuster)
	T814	"O" Ring (Needle Seal)
	T891	OMNI™ Side Feed Color Cup
	T892	Closure Plug
	T893	Adaptor Aztec Cup To OMNI™ 6000
	T6081	#1 Needle (All VEGAS except 600)
	T6081L	#1 Needle (VEGAS 600 only)
	T6083	#3 Needle (All VEGAS except 600)
	T6085	#5 Needle (All VEGAS except 600)
	T6131	#1 Air Cap
	T6131P	#1 Proliner Air Cap
	T6133	#3 Air Cap
	T6133P	#3 Proliner Air Cap
	T6135	#5 Air Cap
	T6141	#1 Tip (VEGA®)
	T6143	#3 Tip (VEGA®)
	T6145	#5 Tip (VEGA®)
	T8081	OMNI™ Needle
	T8131	OMNI™ Air Cap
	T8131G	OMNI™ Air Cap Guard
	T8141	OMNI™ Tip
	50-208	33mm Fast Blast (All Plastic) Jar Adaptor You Cut To Length Siphon Tube, fits 50-0052 (3/4 oz.) & 50-0053 (2 oz.) Jars
	51-017	20mm Fast Blast (All Plastic) Jar Adaptor incl. Siphon Tube, length 2-3/4", fits Badger 20mm 1 oz. paint bottles
	51-019	20mm Fast Blast (Fast Plastic) Jar Adaptor incl. 4 oz. Siphon Tube, length 4.5" fits, Badger 4 oz. Paint Bottles
	51-228	28mm Fast Blast (All Plastic) Jar Adaptor for Floquil Paint Bottles
	51-229	28mm Fast Blast (All Plastic) Jar Adaptor fits Floquil You Cut To Length Tubelength 6"

© 2006 BADGER AIR-BRUSH CO.



BADGER AIR-BRUSH CO.

9128 W. Belmont Ave., Franklin Park, IL 60131 Telephone: 847-678-3104 fax: 847-671-4352
 Internet: www.badgerairbrush.com e-mail: info@badgerairbrush.com